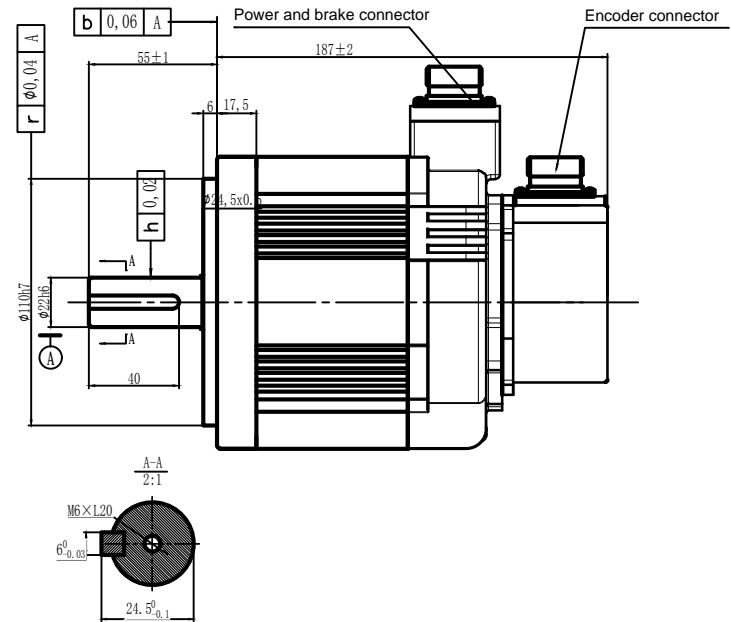
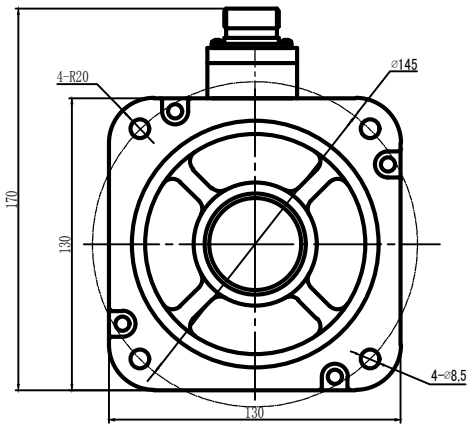


Rated voltage (VDC)	48
Rated power (W)	2000
Rated torque (N.m)	6.4
Max torque (N.m)	16
Rated speed (rpm)	3000
Max speed (rpm)	4000
Rated current (A)	48.5
Max current (A)	121.3
Torque constant (N.m/A)	0.13
Back EMF constant (mV/rpm)	8.5
Inertia(kg*m ² *10 ⁻⁴)	17.71
Resistance(Ω)	0.022
Inductance(mH)	0.088
Motor poles	10
Encoder	17 bit
Protection level	IP65
Mass (kg)	7.7

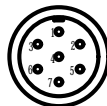


Brake Detail			
Brake mode	Power off brake		
Voltage	24VDC	Power	24W
Braking time	80ms	Release time	40ms

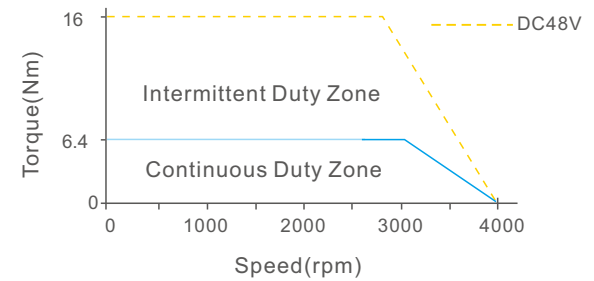
Type	Power connector				Brake Connector	
	Pin	A	B	C	D	
Defi	U	V	W	FG	24V+	0V
Color	Red	Yellow	Blue	Yellow/green	Red	Black



Type	Encoder connector							
	Pin	1	2	3	4	5	6	7
Defi	GND	5V	0V	SD+	SD-	BAT+	BAT-	
Color	PE	Red	Black	Blue	Yellow	Brown	White	



The curve of torque-speed



Leadshine Technology Co .Ltd

ELVM130200V48EM-M17-HD
 2000w servo motor with 17 bit absolute encoder
 130mm / 48V /with brake