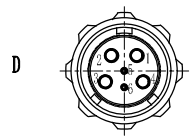
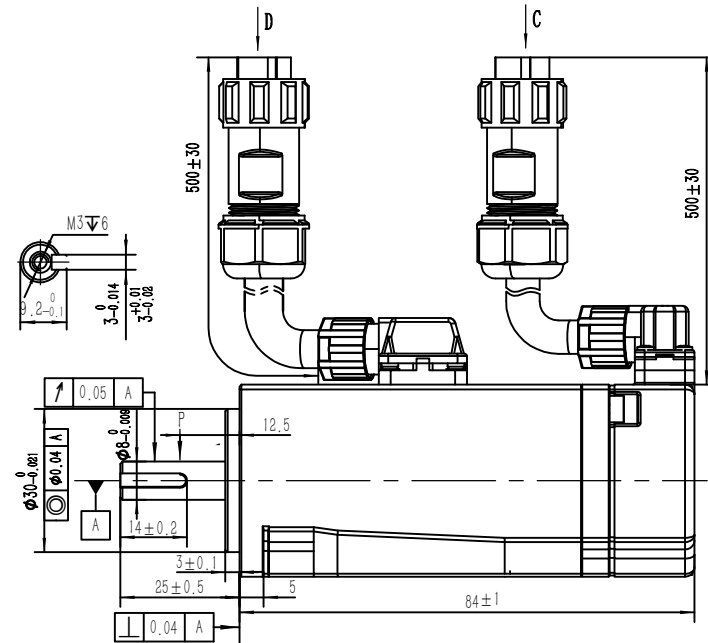
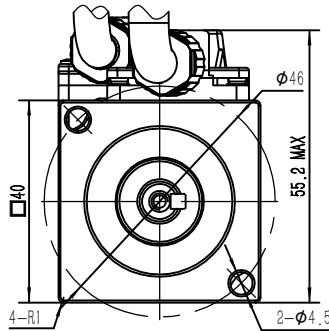
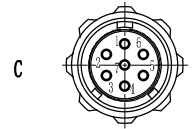


Rated voltage (VDC)	24-48
Rated power (W)	50
Rated torque (N.m)	0.16
Max torque (N.m)	0.48
Rated speed (rpm)	3000
Max speed (rpm)	4000
Rated current (A)	3
Max current (A)	9.3
Torque constant (N.m/A)	0.053
Back EMF constant (mV/rpm)	3.6
Inertia(kg*m ² *10 ⁻⁴)	0.036
Resistance(Ω)	0.93
Inductance(mH)	0.57
Motor poles	10
Encoder	17 bit
Encoder cable	28AWG
Power cable	18AWG
Protection level	IP65
Mass (kg)	0.33

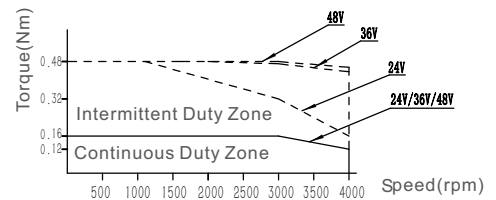


Type	Power connector					
Pin	1	2	3	4	5	6
Defi	U	V	W	FG	0V	24V
Color	Red	Blue	Black	Yellow/green	Black	Red



Type	Encoder connector						
Pin	1	2	3	4	5	6	7
Defi	GND	5V	0V	SD+	SD-	BAT+	BAT-
Color	PE	White	Black	Blue	Purple	Red	Yellow

The curve of torque - speed



Leadshine Technology Co .Ltd

ELVM4005V48FH-M17-HD
 50w servo motor with 17 bit absolute encoder
 40mm frame size / 24 - 48V / brake