

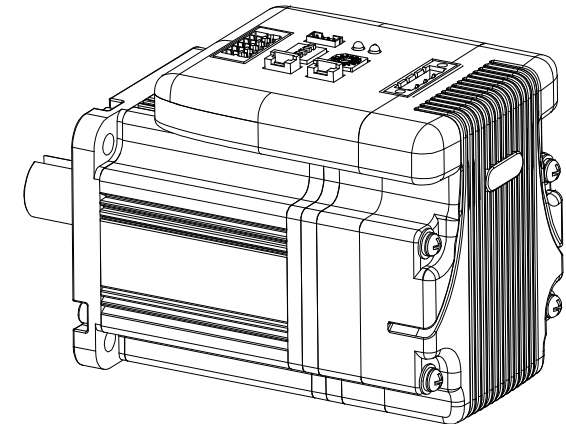
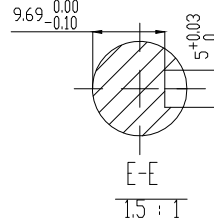
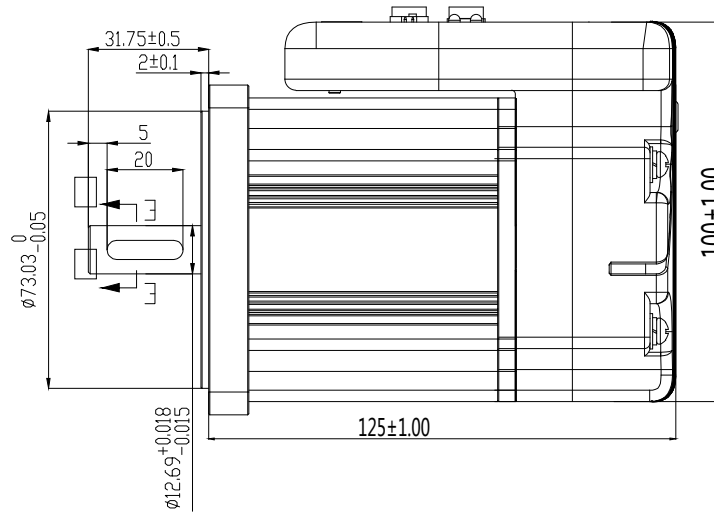
Basic specification

- ◇ 750watt
- ◇ Frame size : 86mm
- ◇ Pulse + direction / RS485
- ◇ Voltage input: 20-60vdc
- ◇ 2.5-3 times overload
- ◇ 4 programmable input
- ◇ 2 programmable output
- ◇ RS232 for configuration

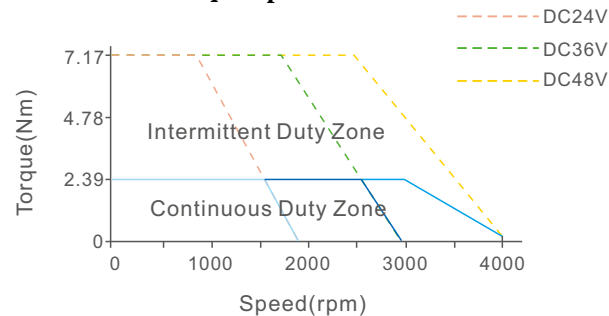
Part Number	iSV2-RS8675V48H
Rated Power(W)	750
Rated Torque(Nm)	2.39
Peak Torque(Nm)	7.17
Rated Speed(rpm)	3000
Peak Speed(rpm)	4000
Rated Voltage(Vdc)	48
Weight(kg)	2.52
Inertia(Kg.cm ²)	0.58
Torque(Nm/A)	0.127
Input Voltage(V)	24~60
Continuous Current(Arms)	19
Peak Current(A)	57
Logic Signal Current(mA)	10
Isolation Resistance(MΩ)	100
Protection Level	IP54 for motor IP20 for drive

Modbus Communication

- ◇ Up to 32 axes supported in one network
- ◇ Modbus RTU based on RS485 communication
- ◇ Built-in indexer , Programmable 16-segment position table, positioning/homing/ limit/ quick stop/ JOG... supported




The curve of torque-speed



Leadshine Technology Co .Ltd

iSV2-RS8675V48H

Integrated servo motor 

48V/750watt/86mm/2.39Nm/No brake