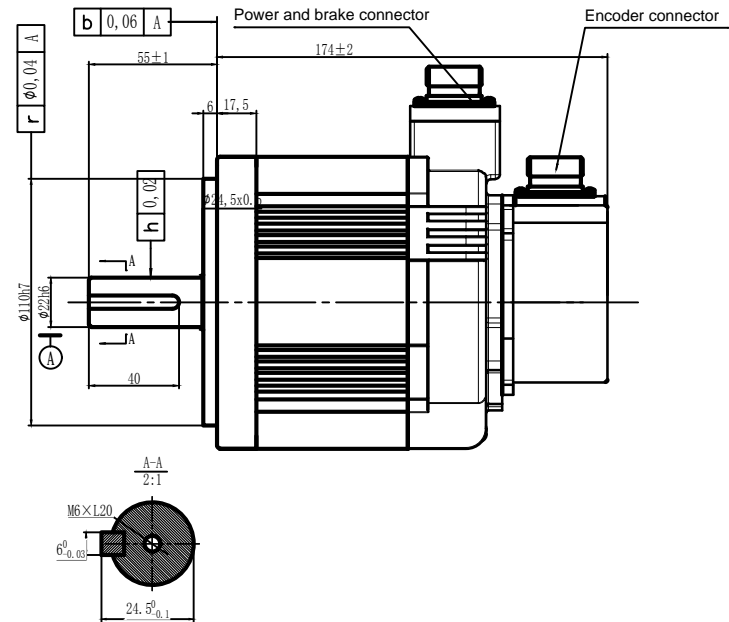
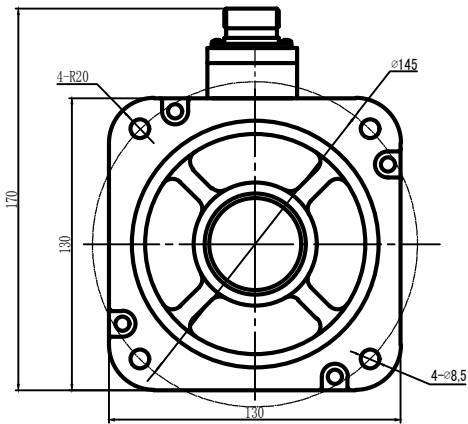


Rated voltage (VDC)	48
Rated power (W)	1200
Rated torque (N.m)	3.8
Max torque (N.m)	10
Rated speed (rpm)	3000
Max speed (rpm)	4000
Rated current (A)	30
Max current (A)	79
Torque constant (N.m/A)	0.13
Back EMF constant (mV/rpm)	8.2
Inertia(kg*m <sup>2</sup> *10 <sup>-4</sup> )	13.3
Resistance(Ω)	0.028
Inductance(mH)	0.11
Motor poles	10
Encoder	17 bit
Protection level	IP65
Mass (kg)	6.5

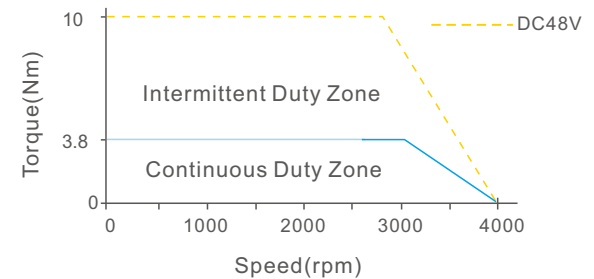


Brake Detail			
Brake mode	Power off brake		
Voltage	24VDC	Power	24W
Braking time	80ms	Release time	40ms

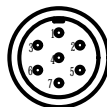
Type	Power connector				Brake Connector	
Pin	A	B	C	D	1	2
Defi	U	V	W	FG	24V+	0V
Color	Red	Yellow	Blue	Yellow/green	*	*



The curve of torque-speed



Type	Encoder connector						
Pin	1	2	3	4	5	6	7
Defi	GND	5V	0V	SD+	SD-	BAT+	BAT-
Color	PE	Red	Black	Blue	Yellow	Brown	White



Leadshine Technology Co .Ltd

ELVM130120V48EM-M17-HD  
1200w servo motor with 17 bit absolute encoder  
130mm / 48V /with brake