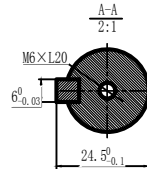
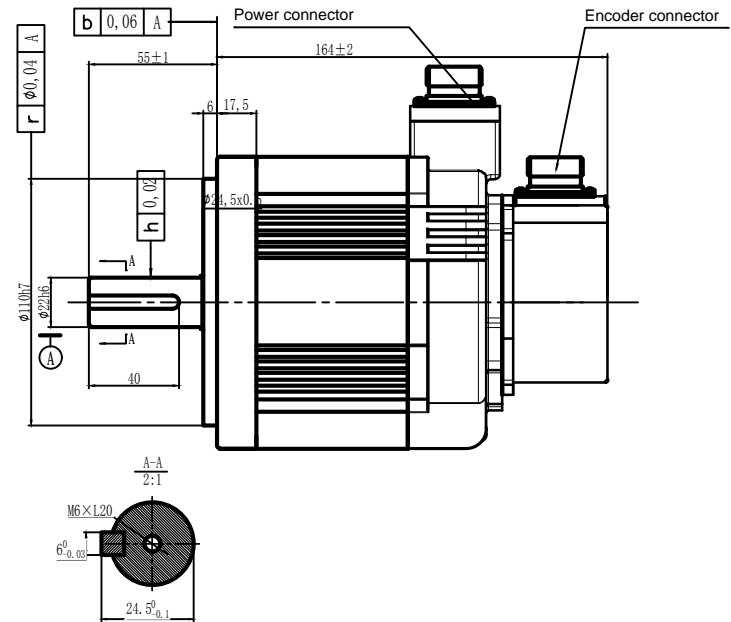
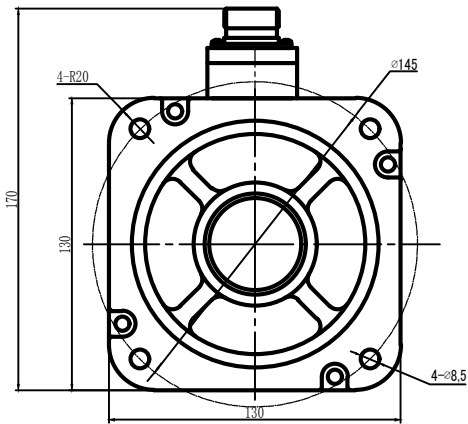
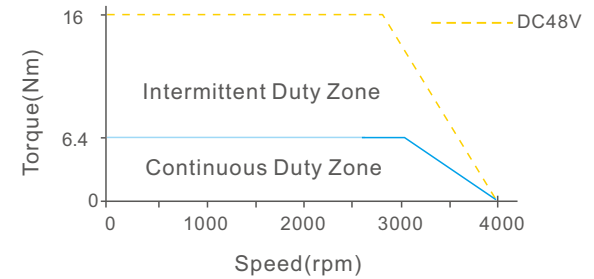


Rated voltage (VDC)	48
Rated power (W)	2000
Rated torque (N.m)	6.4
Max torque (N.m)	16
Rated speed (rpm)	3000
Max speed (rpm)	4000
Rated current (A)	48.5
Max current (A)	121.3
Torque constant (N.m/A)	0.13
Back EMF constant (mV/rpm)	8.5
Inertia(kg*m <sup>2</sup> *10 <sup>-4</sup> )	16.04
Resistance(Ω)	0.022
Inductance(mH)	0.088
Motor poles	10
Encoder	17 bit
Protection level	IP65
Mass (kg)	6.4



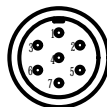
The curve of torque-speed



Type	Power connector					
Pin	A	B	C	D	1	2
Defi	U	V	W	FG		
Color	Red	Yellow	Blue	Yellow/green		



Type	Encoder connector						
Pin	1	2	3	4	5	6	7
Defi	GND	5V	0V	SD+	SD-	BAT+	BAT-
Color	PE	Red	Black	Blue	Yellow	Brown	White



Leadshine Technology Co .Ltd

ELVM130200V48FM-M17-HD

2000w servo motor with 17 bit absolute encoder  
130mm / 48V /no brake